

*Frigidaire*

**INTERNATIONAL**

## Factory Parts Catalog

Product No.	FGTD20V4FW2
Series	134A SYSTEM
Color	white
Volts	220
Wiring Diagram	240583901
Owner's Guide	240432701
Market	Export
Energy Guide	241732504
Service Data Sheet	240586202
Installation Instructions	240568301

INTERNATIONAL  
3 Parkway Center, Pittsburgh, PA 15220

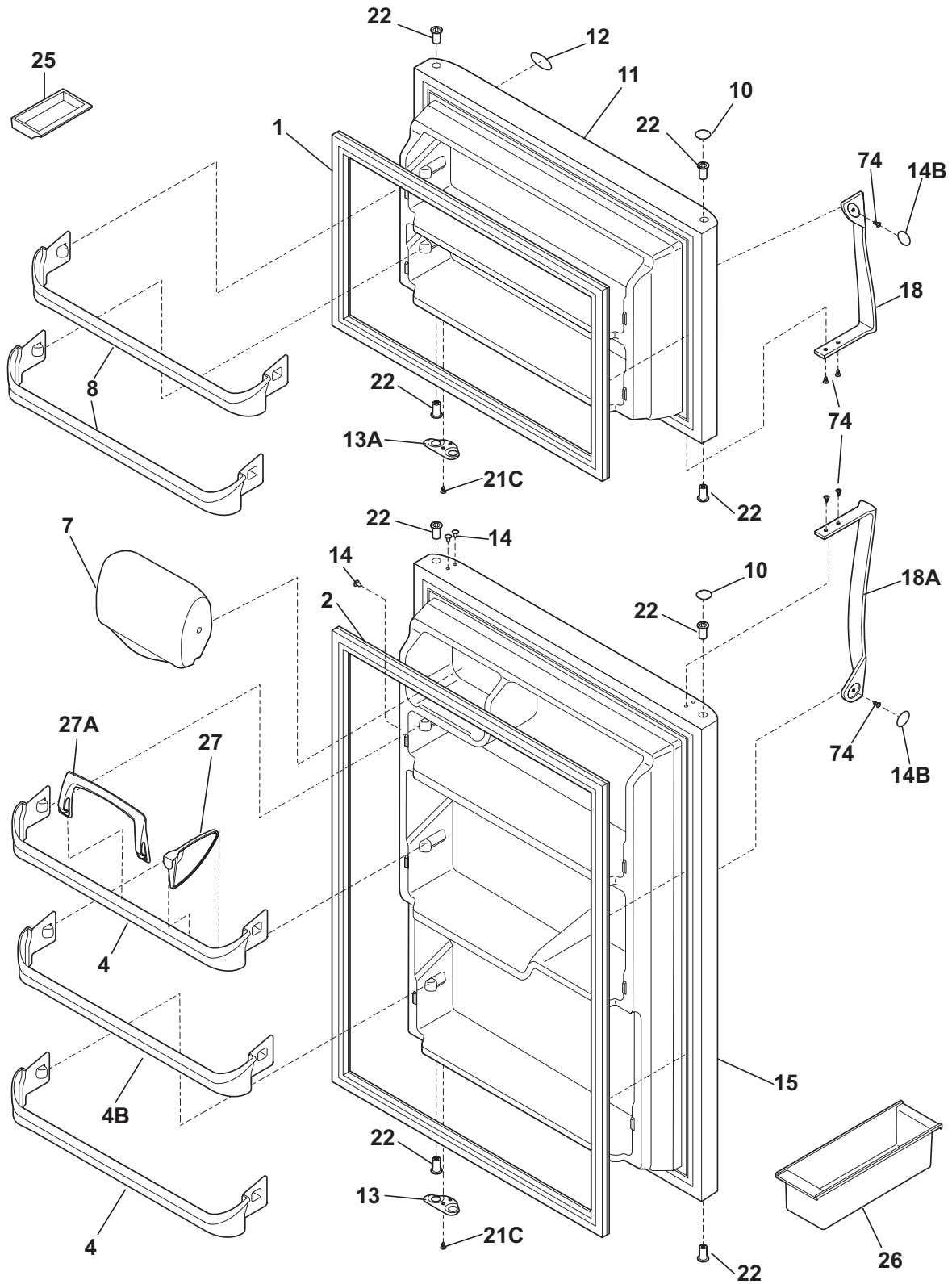
Publication No.  
**5995492187**  
07/06/05  
(EN/SERVICE/KHB)  
390

### **TOP-MOUNT REFRIGERATOR**

Model No.  
**FGTD20V4F**

Copyright © 2007 Electrolux Home Products, Inc.  
All rights reserved.

**DOOR**



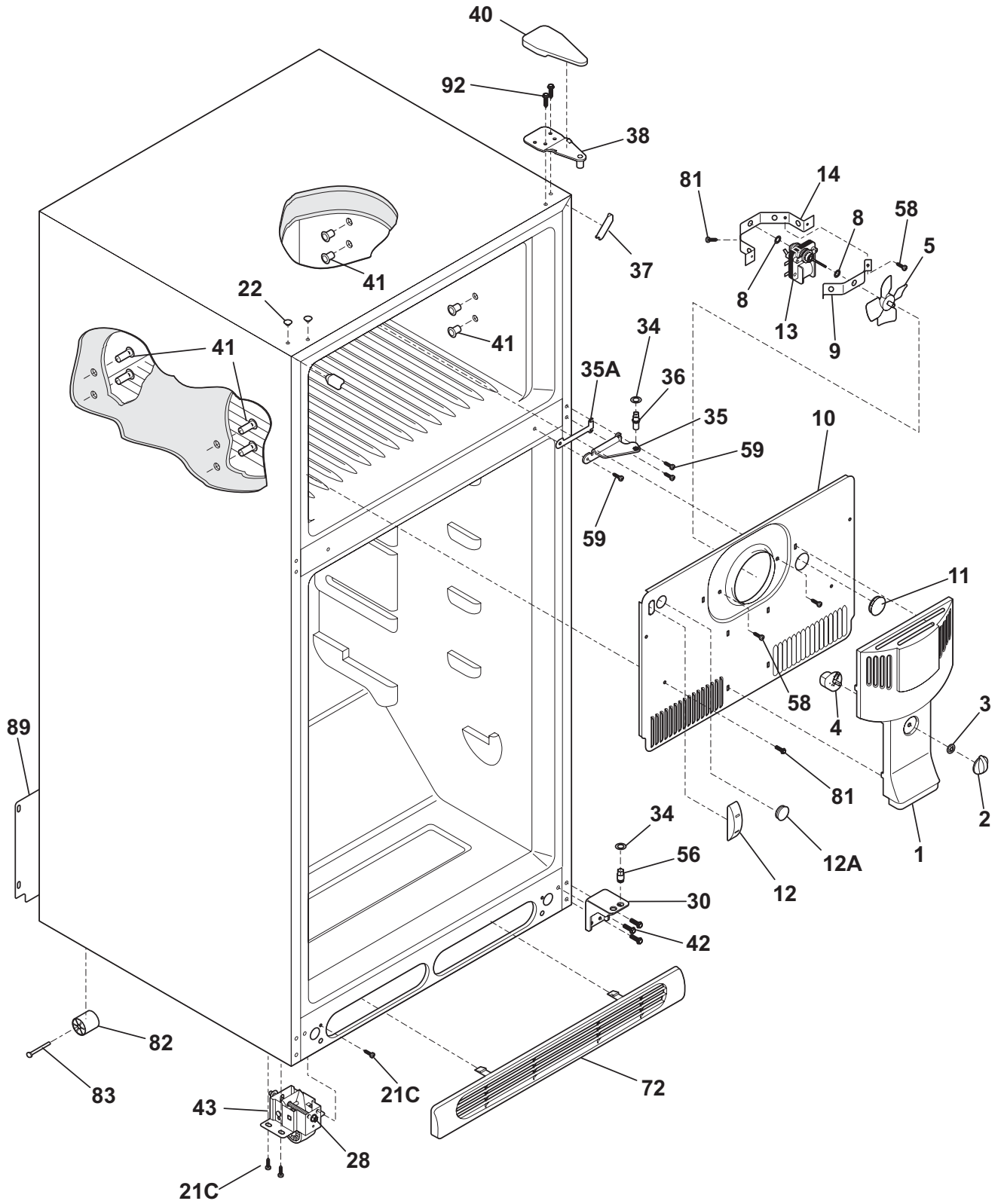
N05DCDCKA2

## DOOR

---

POS. NO	PART NO.	DESCRIPTION
1	240542115	Gasket-frzr door, white, magnetic
2	240542118	Gasket-refr door, white, magnetic
4	240534901	Rack-door
4B	240534701	Rack-door, 4B
7	240337712	Door-dairy
8	240534801	Rack-door
10	240381301	Plug-button, white, hinge brg hole, (2)
11	240409901	Door-frzr, white, complete assy
12	240589601	Label-nameplate
13	240312403	Door Stop, white, ref
13A	240312404	Door Stop, white, frzr
14	240494001	Plug-button, white
14B	240383601	Plug-button, white, door handle
15	240410001	Door-refr, white, complete assy
18	240339201	Handle-door, white, refr-LH/frzr-RH
18A	240339206	Handle-door, white, refr-RH/frzr-LH
21C	218252201	Screw, #8 truss hd, 10-32CA x 0.500
22	240527101	Bearing-hinge, natural color
25	5308000716	Dish, butter
26	3204522	Container, egg
27	240396302	Snugger, paddle type
27A	240396102	Retainer, tall bottle
74	240383406	Screw, truss hd quad, #10-16 x .500, zinc

**CABINET**



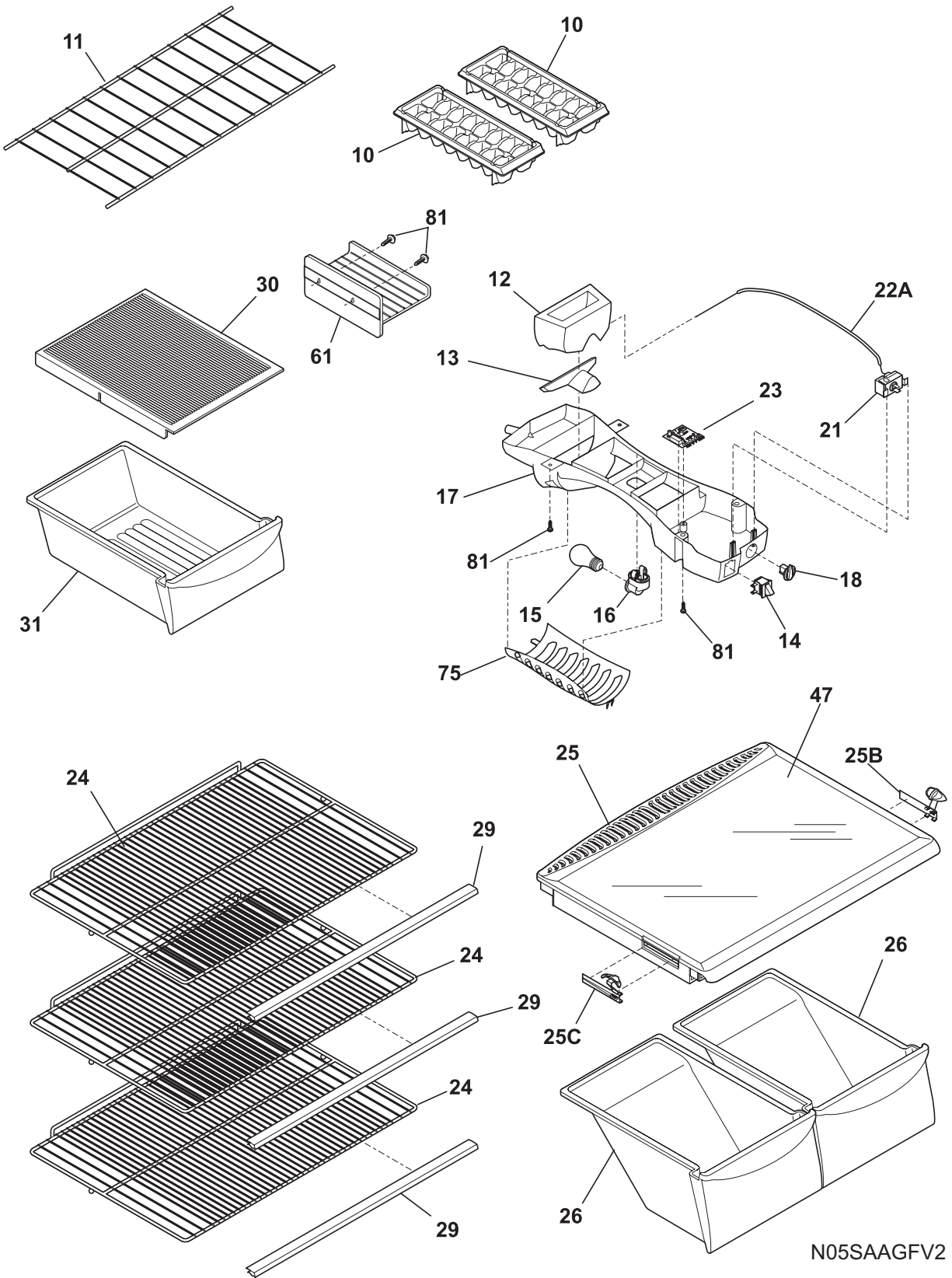
**N05BBAABA17**

## CABINET

---

POS. NO	PART NO.	DESCRIPTION
1	241652301	Cover-fan
2	240367001	Knob-damper control
3	5303001028	Nut, push-on
4	240367401	Damper-fan cover
5 #	5308000010	Fan Blade, red, evaporator fan
8	5300157666	Bushing-motor mtg, (2)
9	5303292396	Bracket-motor mtg, front
10	241652214	Cover-evap coil
10*	240568601	Seal-coil cover
11	5303208309	Plug-hole, factory test
12	241557601	Plug-ice maker harness, rectangular
12A	240374401	Plug-wtr inlet tube, round, 1"
12A*	241586701	Plug-foam-wtr-inlet, round
13 #	241832301	Motor-evap fan
13*	215474201	Washer, "slinger", nylon, evap fan shaft
13*	218931001	Clamp-motor wiring, nylon, w/adhesive tape
14	5303292397	Bracket-motor mtg, rear
14*	240433204	Screw, hex washer head, 8-18 x 5/16
21C	218252201	Screw, #8 truss hd, 10-32CA x 0.500
22	215774901	Plug-button, white, upr hinge holes
28	241708801	Bolt-roller adj, hex washer head, 1/4-20 x 4.020, (2), special
30	240314011	Bracket-lower hinge, zinc
34	240311303	Washer, hinge, nylon, (2)
35	240313806	Bracket-ctr hinge, zinc
35A	240336802	Spacer-hinge, center
36	240516402	Pin-center hinge
37	241611301	Trim-cabinet corner, white, (2)
38	240313701	Bracket-upper hinge
40	240354401	Cover-upper hinge, white
41	5308009759	Grommet, shelf mtg, 1.25", LH, (4)
42	240578902	Screw-hinge mtg, hex head, 1/4-20 x 5/8
43	241709301	Roller Assy, adjustable, front, (2)
56	240516502	Pin-lower hinge
58	5304456287	Screw, hex washer head, 8-15A x 0.500
59	240442706	Screw-#10-32 X 3/4, zinc
72	240368205	Grille/Kickplate, white
81	5304455650	Screw, hex washer head, 8-15A x 0.625, low profile
82	5304418225	Roller, compressor base, rear, (2)
83	5304455655	Rivet, flat head, 1/4 OD x 1-3/4, roller pin
89	240326119	Cover-access, with label
89*	241500304	Screw, hex washer head, 8-18AB x 0.625
92	241710601	Screw, hex washer hd, 1/4 x 7/8, hinge mtg
*	218515401	Clip
*	5303321319	Paint, touch-up, white

**SHELVES**



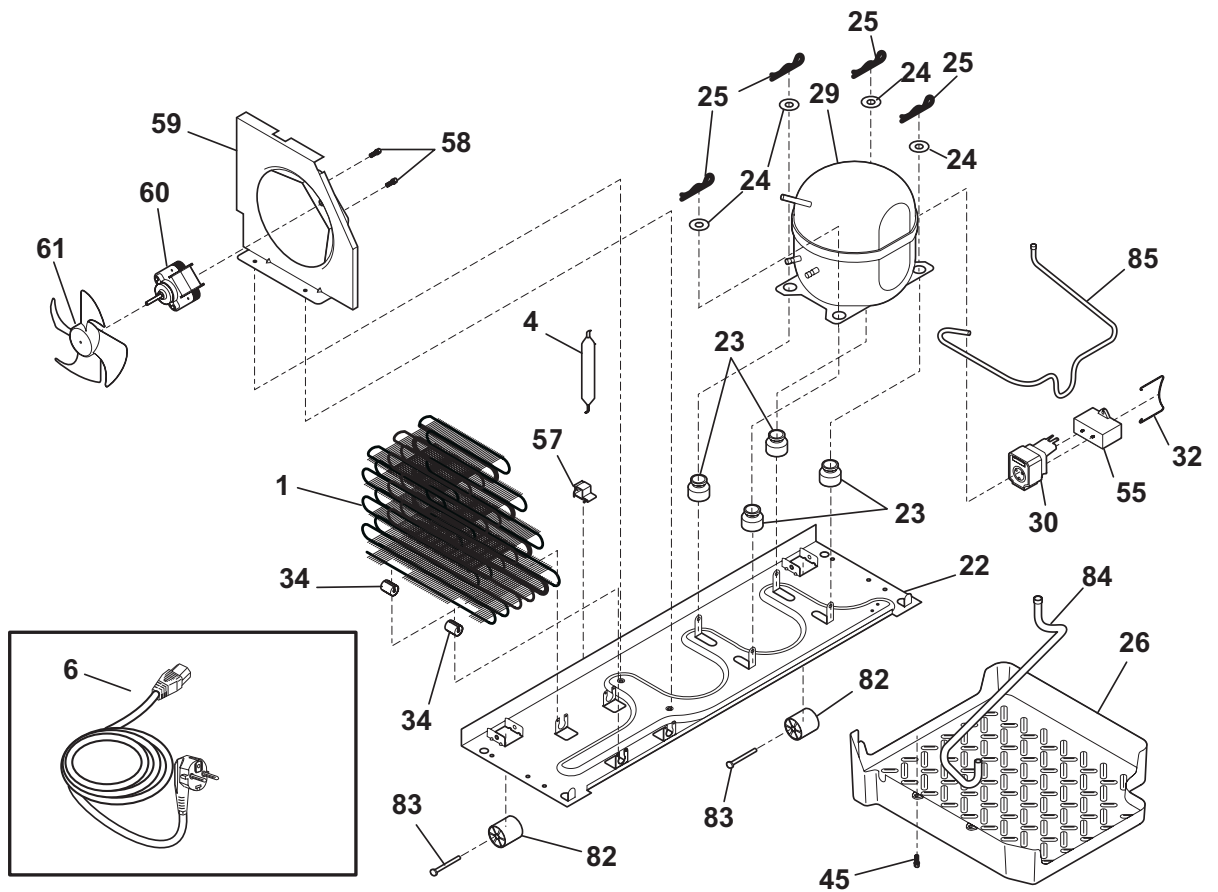
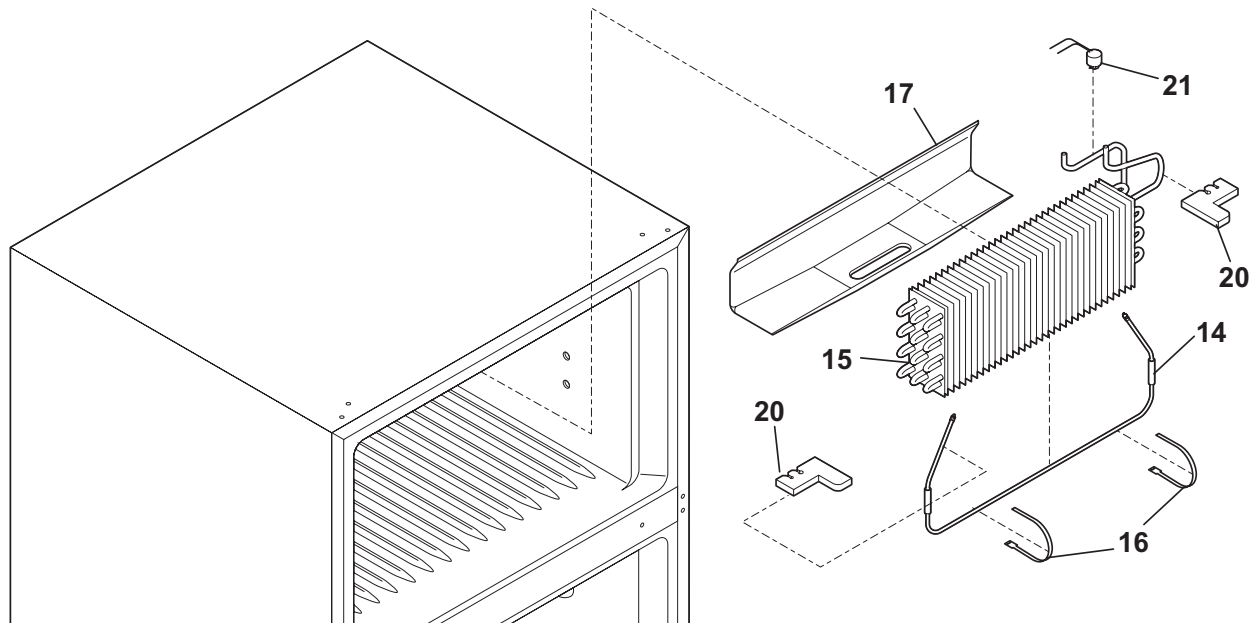
N05SAAGFV2

## SHELVES

---

POS. NO	PART NO.	DESCRIPTION
10	215667501	Tray, ice cube, plastic
11	240358005	Shelf, freezer, full-width, wire
12	240545001	Diffuser, air, top
13	240362601	Diffuser, air, bottom
14	241554901	Switch-light/lamp
15	218814401	Light Bulb
16 #	240433702	Socket-light/lamp
17	240352701	Control Box
17*	240568607	Seal
17*#	240375502	Wiring Harness, control box
18	240360801	Knob, temp control
21 #	5304458064	Control-temperature
22A	240468201	Tube, sensor sleeve, 31 inch, plastic, white
23 #	240545405	Control-defrost, adaptive timer, 220/240 V, PC board
23*	5304455649	Screw-timer mtg, pan hd, 6-20 x 0.438, (2)
24	240360905	Shelf, sliding, wire
25	240364714	Cover-crisper pan
25B	241613501	Control-humidity, RH
25C	241613502	Control-humidity, LH
26	240337103	Pan-crisper, clear, (2), no graphics
29	240430708	Trim-shelf
30	240361801	Cover, meat pan hanger, drop through
31	240530811	Pan-meat, w/o graphics, clear
47	241711219	Insert-pan cover, glass
61	215781501	Shelf, ice tray mount, wire
75	240412701	Shield, light
81	5304455650	Screw, hex washer head, 8-15A x 0.625, low profile

**SYSTEM**



N05CAAABD0

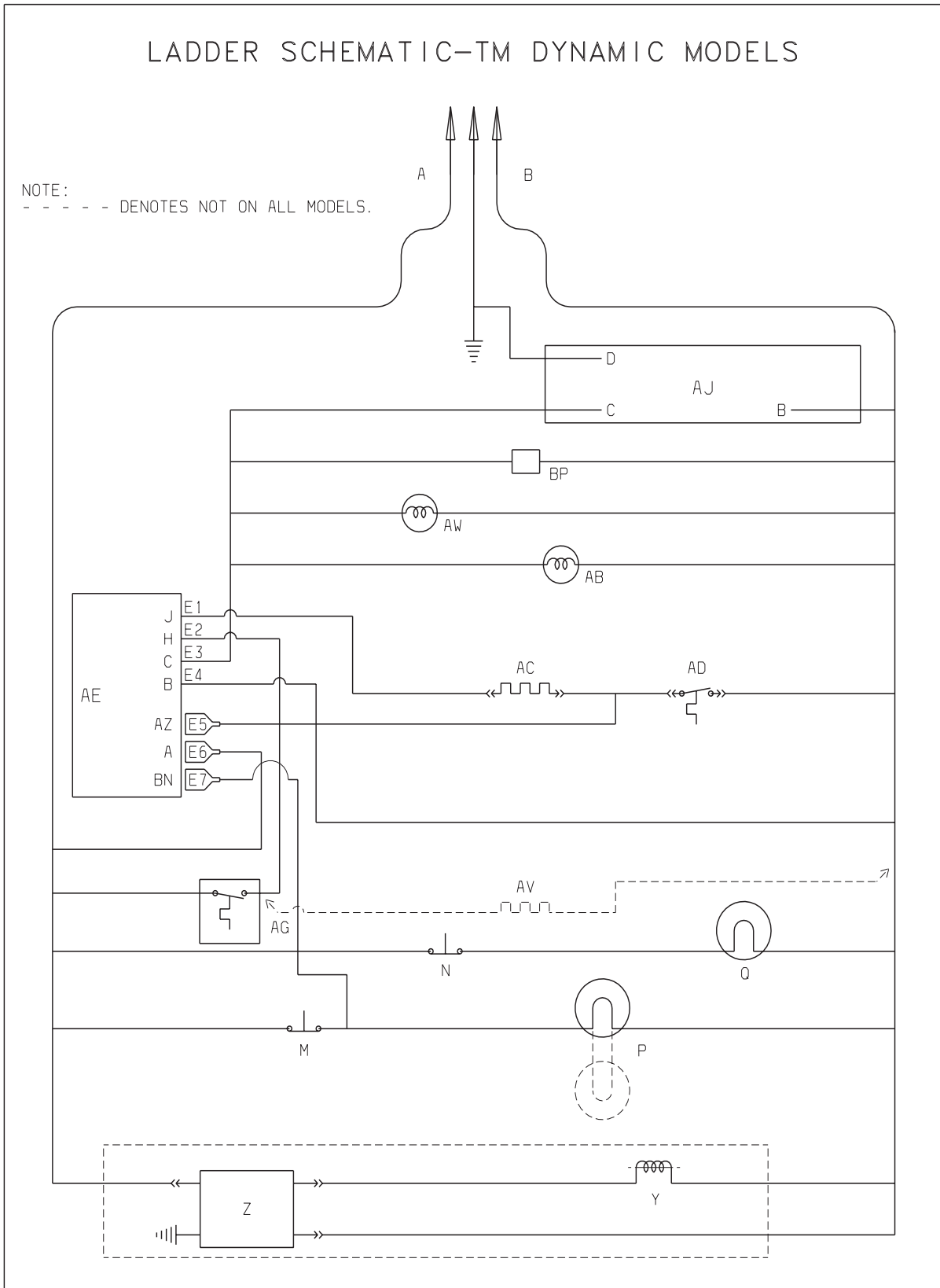


## SYSTEM

---

POS. NO	PART NO.	DESCRIPTION
1 #	241785404	Condenser, dynamic
4 #	218944001	Drier-filter, R134a System
6 #	240449501	Cord-electric power
6*	240447102	Bracket, strain relief
6*	240447201	Clamp, strain relief
6*	240451503	Screw, ind hex wshr hd, 8-32 x 0.375, trilobe
6* #	241626401	Harness-wiring, machine compt
6*	241832601	Harness-wiring, freezer
6* #	240375502	Wiring Harness, control box
14 #	240356216	Defrost Heater, 220 V
15 #	5303918274	Evaporator Kit
16	5308000110	Strap-evap/heater, aluminum, (2)
17	241801301	Trough-drain
20	241551901	Insulation Block
21 #	5303918202	Thermostat-defrost, kit
22	241665606	Base-compressor
22*	218252201	Screw, #8 truss hd, 10-32CA x 0.500
23	218513300	Grommet-compr mtg, (4)
24	241812301	Washer-compr mtg
25	216056401	Clip-compressor mtg
26	241683601	Pan-defrost
29	5303918318	Compressor, w/electricals
30	241524610	Starter-PTC
32	240553401	Clamp, elec cont mtg, compressor
34	240405201	Grommet, rubber, black, cond tube/wire
45	241500304	Screw, hex washer head, 8-18AB x 0.625
55 #	218909908	Capacitor, run
57	240542601	Clip-wiring harness
58	218897004	Screw, hex washer head, 8-32 x 0.375
59	5304430246	Bracket-cond motor assy
59*	240346701	Tape-foam seal, shroud
59*	240359403	Screw-fan shroud, (2)
60 #	240525405	Motor-condenser fan
61	240524101	Fan Blade, galv steel, condenser fan
82	5304418225	Roller, compressor base, rear, (2)
83	5304455655	Rivet, flat head, 1/4 OD x 1-3/4, roller pin
84	240359601	Tube-drain, lower
85	240553501	Tube-connector, suction
*	240396801	Clamp, tube/wiring, nylon, black/natural
*	5303918263	Heat Exchanger Kit, suction line
* #	5303918241	Hot Tube Repair Kit, 220 V, service

WIRING SCHEMATIC



WIRING DIAGRAM

